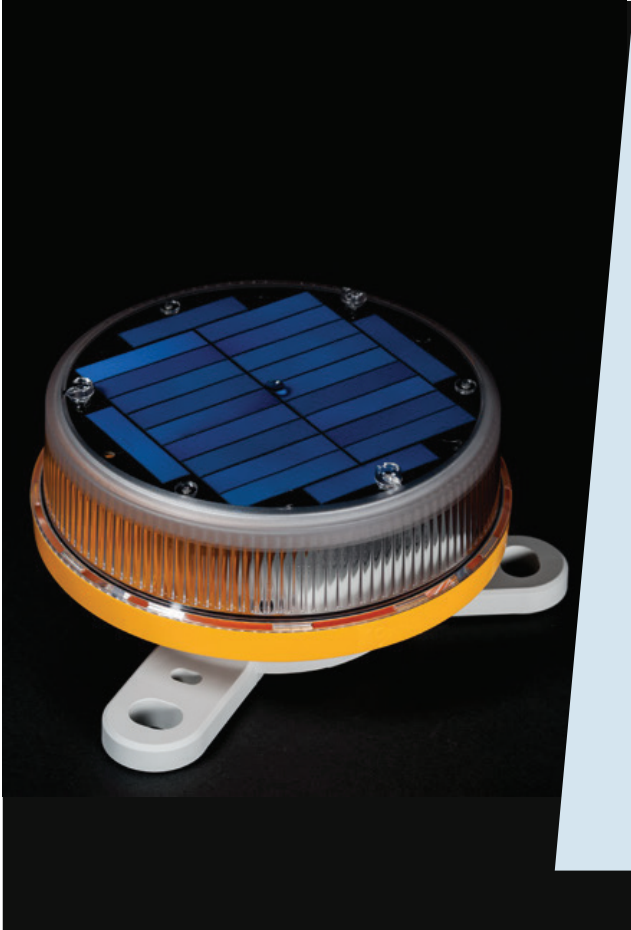


LED MARINE BEACON

1 TO 3NM RANGE



The M660 is a high-performance, long life, easy-to-use and cost effective self-contained solar LED marine lantern. It requires very low maintenance and can achieve a night range from 1 to 3NM @ 0.74T, to be calculated according to location and flashing character.

- Vertical divergence > 8°
- Colours meet IALA chromaticity requirements (red, white, green, yellow)
- Adjustable intensity and range
- Easy programming with IR controller
- Bird deterrents in stainless steel

OPTIONS

- ON/OFF control (external switch)
- Bluetooth control: lantern can be programmed and battery status checked up to 50 meters distance with an app for Android and iOS

SOLAR MODULES

High-efficiency cells. Maximum Power Point Tracking (MPPT) for optimal energy collection

BATTERY

Replaceable Li-ion battery pack with extreme temperature range and up to 8-year life expectancy

MATERIALS

Premium grade UV resistant, polycarbonate/polysiloxane co-polymer body and lens material

INTRUSION PROTECTION

IP 68

WEIGHT (WITH BATTERY)

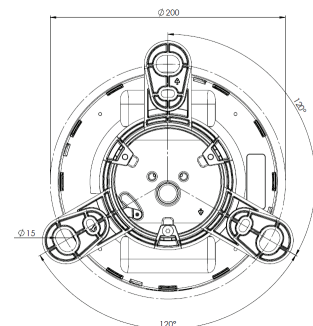
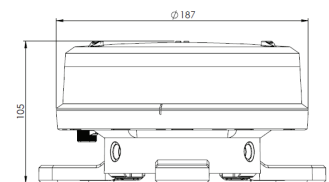
0.8 kg

MOUNTING

4 different mounting options Dual bolt circles standard (150 & 200mm, 3 holes). 2 pole mounting options.

DESIGN LIFE

12 years (excluding battery)



GISMAN offers equipment from SABIK/CARMAHAH/VEGA group when they are part of global offers for Aids to Navigation. Please contact us for more information.