

# LED MARINE BEACON

## 2 TO 4NM RANGE



The M650H is a cost effective, self-contained, high-performance, low maintenance and easy-to-install solar LED marine lantern. It can achieve a night range from 2 to 4NM @ 0.74T, to be calculated according to location and flashing character.

- Vertical divergence > 8°
- Colours meet IALA chromaticity requirements (red, white, green, yellow)
- Adjustable intensity and range
- Easy programming with On-Board User Interface, USB port, or wireless IR-Programmer
- Bird deterrents in stainless steel

### OPTIONS

- ON/OFF control (switch)
- External charger
- Internal GPS synchronization system

### SOLAR MODULES

High-efficiency solar cells with bypass and blocking diode function. Maximum power point tracking (MPPT) for optimal energy collection

### BATTERY

Sealed Lead Acid battery; tool-less replaceable and recyclable with 5-year life expectancy

### INTRUSION PROTECTION

IP 68

### MATERIALS

Premium grade UV resistant, polycarbonate/polysiloxane co-polymer body and lens material

### WEIGHT (WITH BATTERY)

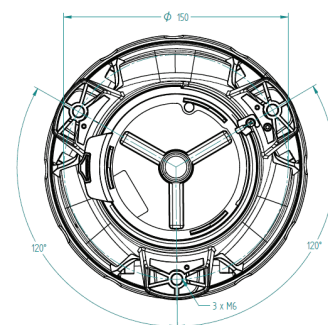
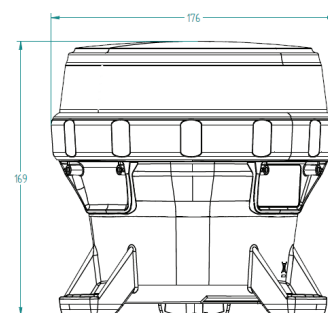
1.6 kg

### MOUNTING

3 x M6 bolts on a 150 mm diameter

### DESIGN LIFE

12 years (excluding battery)



GISMAN offers equipment from SABIK/CARMANAH/VEGA group when they are part of global offers for Aids to Navigation. Please contact us for more information.

Specifications subject to change or variation without notice - 2020