

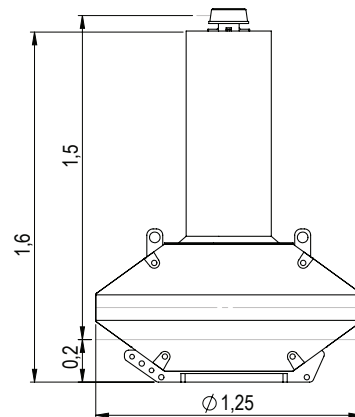
POLYETHYLENE BUOY

GBR-1250

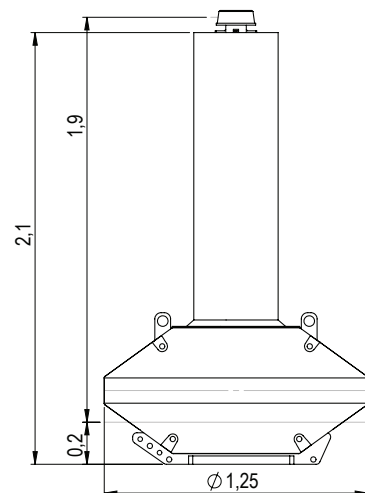


Diameter: 1.25m
Volume: 0.4m³
For river beaconing

- 2 segments of float in virgin polyethylene, UV stabilised and precompounded to reduce colour ageing, with standard wall thickness 7mm
- Expanded polystyrene (EPS) foaming available upon request
- Polyethylene spar: 1m high (SS) or 1.4m high (ES)
- 2 lifting eyes + multi-position mooring system
- Ballasted drift in galvanized steel, for strong current
- Aluminium top mark for Special Mark and Isolated Danger



GBR-1250-SS



GBR-1250-ES

1.25M DIAMETER FLOAT

0.4m³ volume

ADDITIONAL CHARACTERISTICS

Reserve buoyancy (m³)	Total weight (kg)
0.3	Approx. 110
Focal plane (m)	Visibility (m²)
1.5 to 1.9	0.9 to 1.0
Draught (m)	Recommended mooring
0.2	Ø 14mm open link chain
Overall height (m)	Recommended lantern
1.6 to 2.1	Self-contained LED lantern up to 3 NM range

Specifications subject to change or variation without notice - 2020