

POLYETHYLENE BUOY

GBP-1800



Diameter: 1.8m
Volume: 1.7m³
For port beaconing

- Single part float in virgin polyethylene, UV stabilised and precompounded to reduce colour ageing, with standard wall thickness 10mm, and expanded polystyrene (EPS) foaming
- Polyethylene spar with internal compartment (lockable door as an option)
- Equipped with polyethylene or aluminium top mark
- 2 lifting eyes + 2 two mooring eyes connected with an internal bracing system in 316L stainless steel

1.8M DIAMETER FLOAT

1.7m³ volume
 Filled with EPS foam

ADDITIONAL CHARACTERISTICS

Reserve buoyancy (m³)
 1.3

Focal plane (m)
 2.5

Draught (m)
 0.65

Overall height (m)
 4

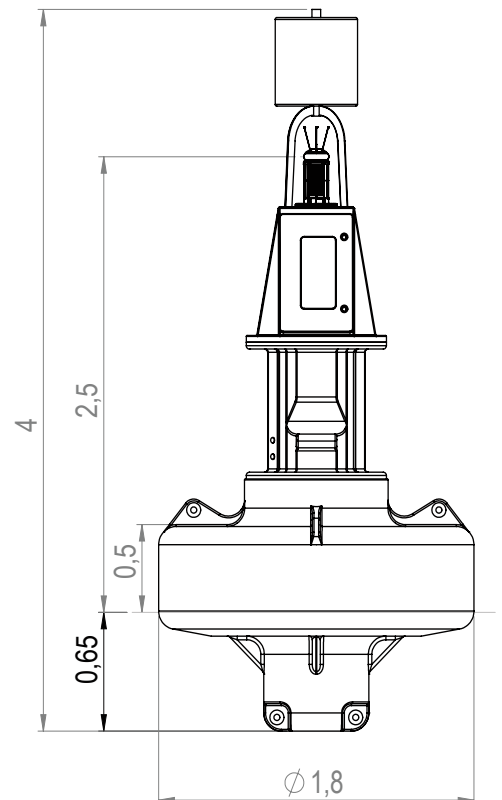
Ballast (kg)
 205

Total weight (kg)
 Approx. 400

Visibility (m²)
 2.2

Recommended mooring
 Ø 25mm open link chain
 (twin mooring point)

Recommended lantern
 Self-contained LED lantern with
 range from 2 to 5.5 NM



Specifications subject to change or variation without notice - 2020